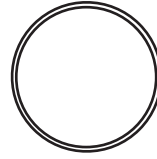
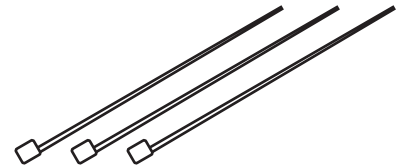


Human Possibilities for a Ringtail Drey

1) What is needed

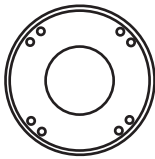


2 plastic flower pot plates
or anything similar
diameter: ca. 180 mm

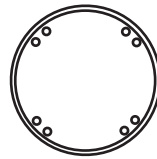


13 cable ties
100 mm

2) Drilling holes into the end pieces

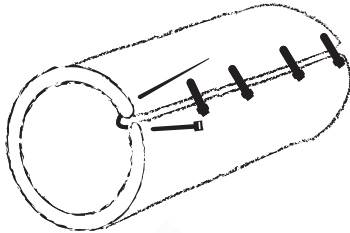


The "frontdoor" should be 90mm
for Ringtail Possums. (Tools are on the
market for other purposes.)

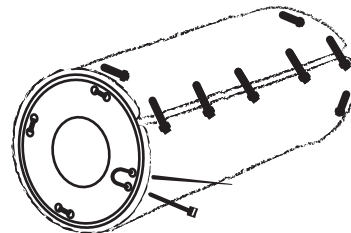


All the other holes should fit for the ties eg 5mm.
We have chosen four pairs each - see the drawings.

3) Making a role



4) Attaching the end pieces



5) Finished



Tools:

drill bit 5 mm
drill bit circle 90 mm
pair of plyers, small
awl (5 mm thickness or a similar
sized substitute)

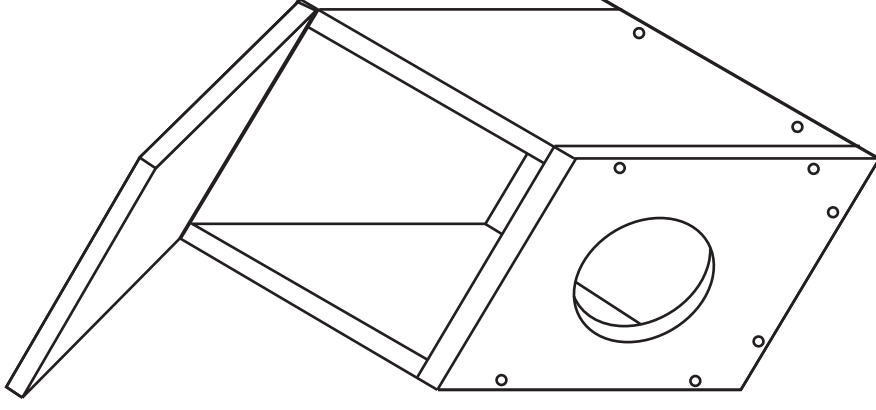
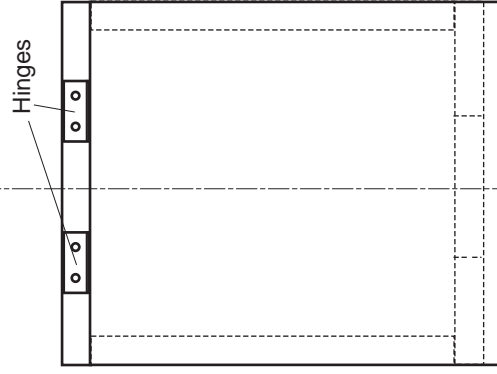
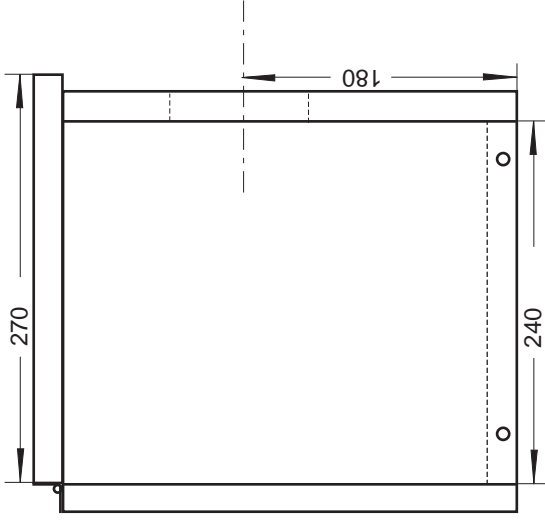
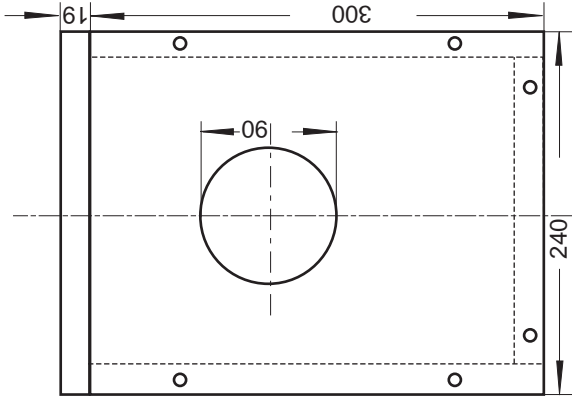
Possum Centre Busselton Inc.

**to build an
Artificial Drey**

Design:

Scale:

1 : 10



This nestbox is designed for the use in care situation (in Cages) only.

Nestboxes in nature habitats should be

- higher (400 to 500 mm);
- The entrance whole has to be higher up;
- The lid should be screwed on top (without hinges).

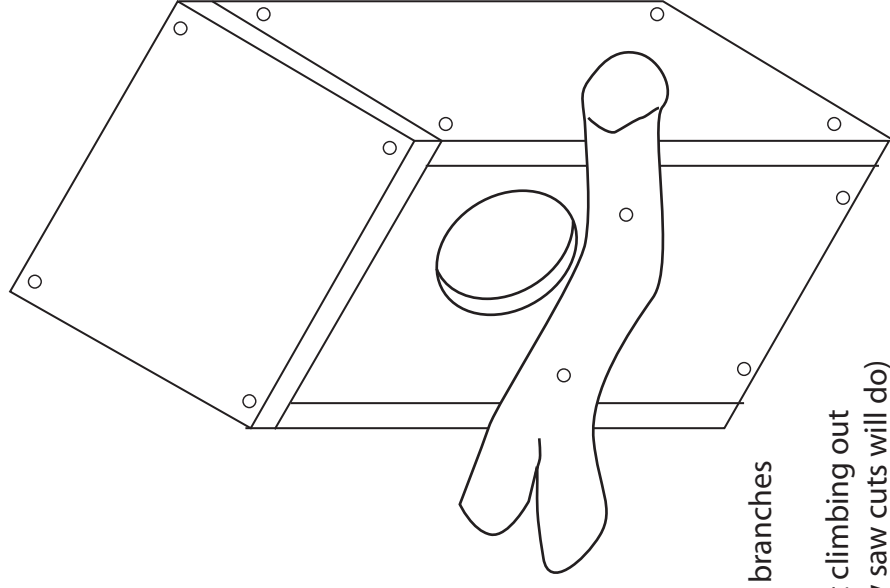
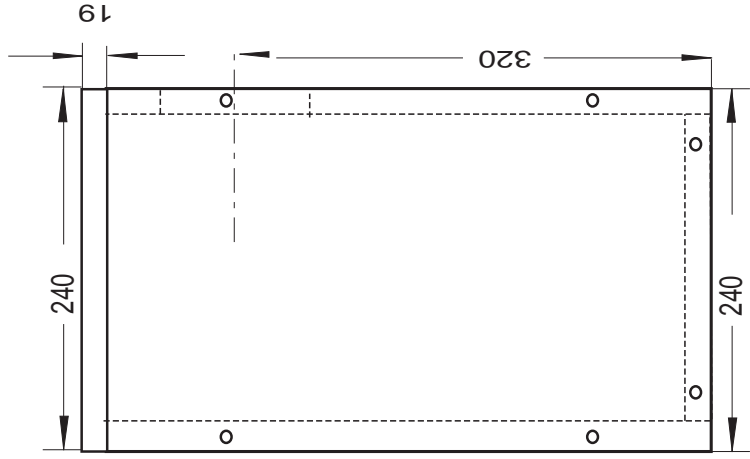
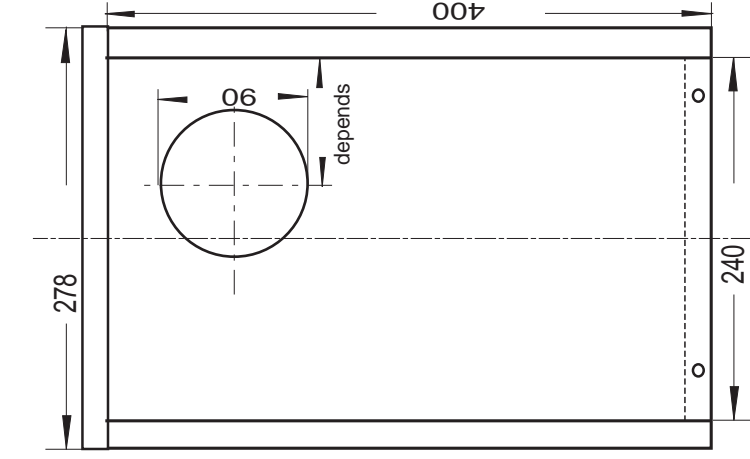
Possum Centre Busseton Inc.

Design:

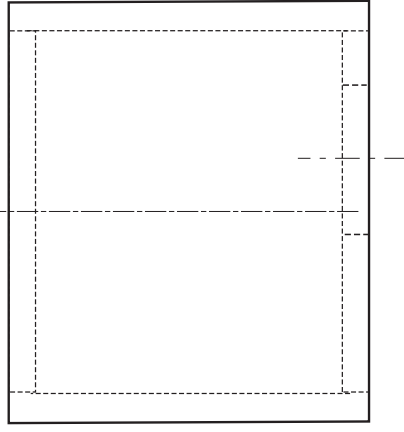
Scale:

1 : 5

Nestbox (Timber)
for Ringtail Possums



- 1) The entrance hole can be on either side depending on the tree branches
- 2) It might be a good idea to support climbing out inside the box (a couple of shallow saw cuts will do)
- 3) Screw a short piece of appropriate cut off branch underneath the entrance hole.



Possum Centre Busselton Inc.

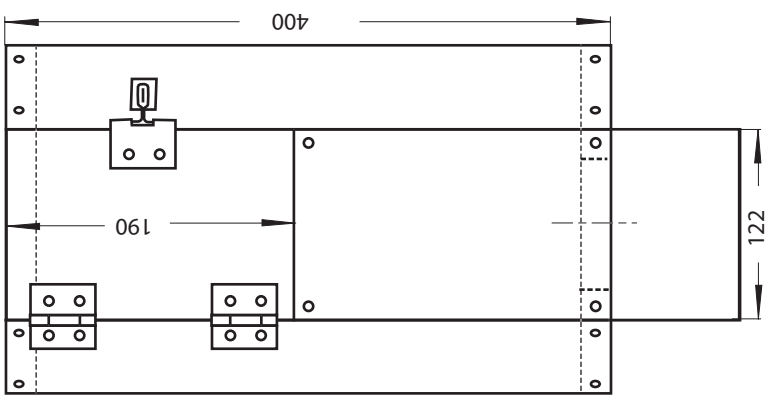
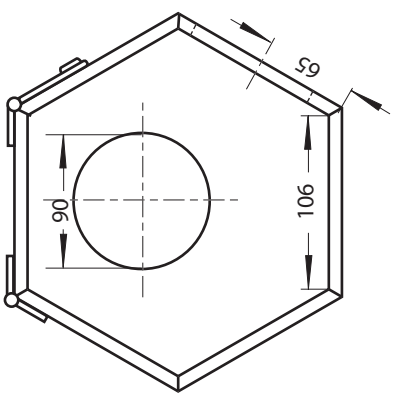
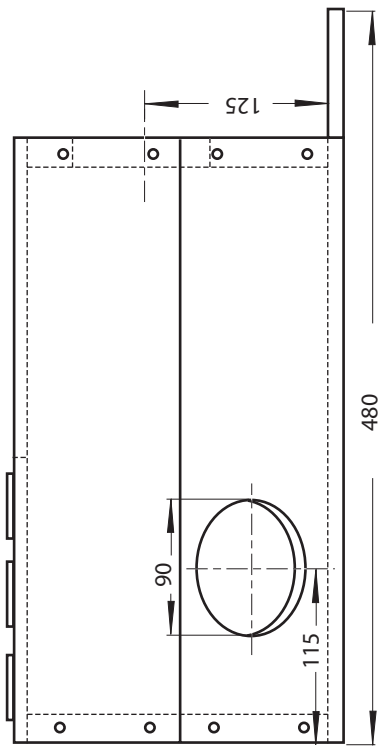
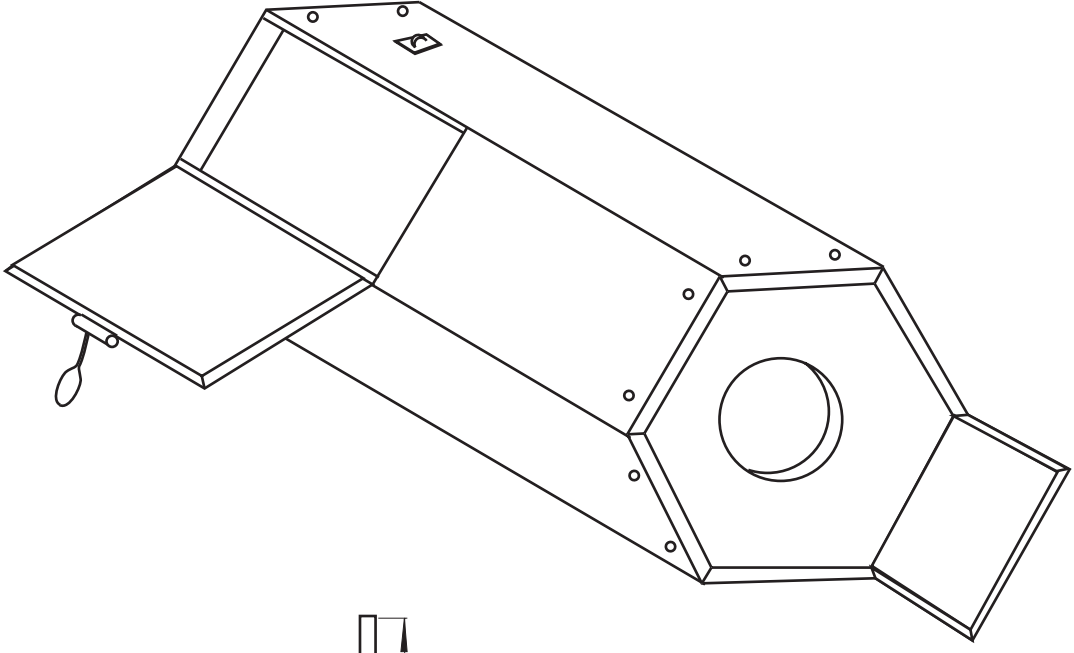
Design:

Scale:

1 : 5

Nestbox (Timber)

for Ringtail Possums
in natural habitat



Possum Centre Busselton Inc.

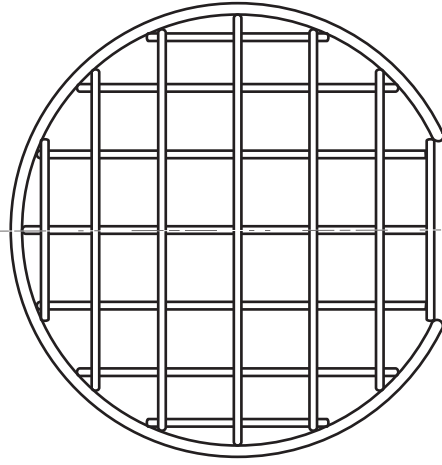
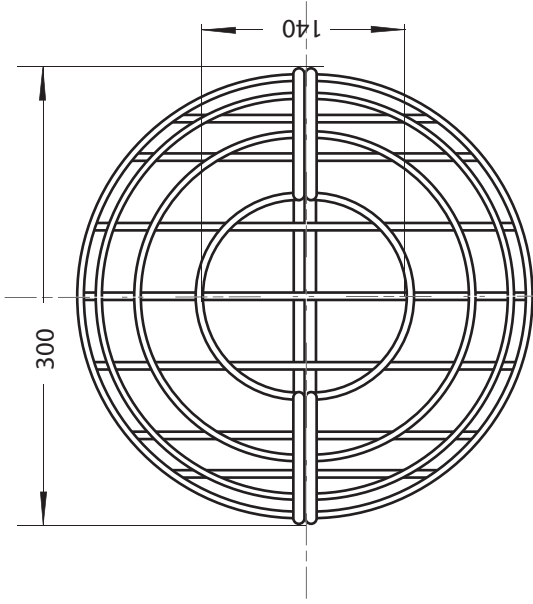
Design:

Scale:

1 : 5

Nestbox (Timber)

for Ringtail Possums



Possum Centre Busselton Inc.

Design:

Scale:

1 : 5

Artificial Drey
for Ringtail Possums