

Possum Centre Busselton Inc.

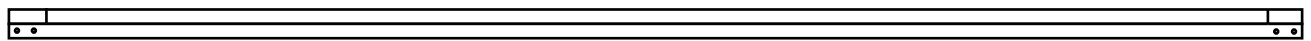
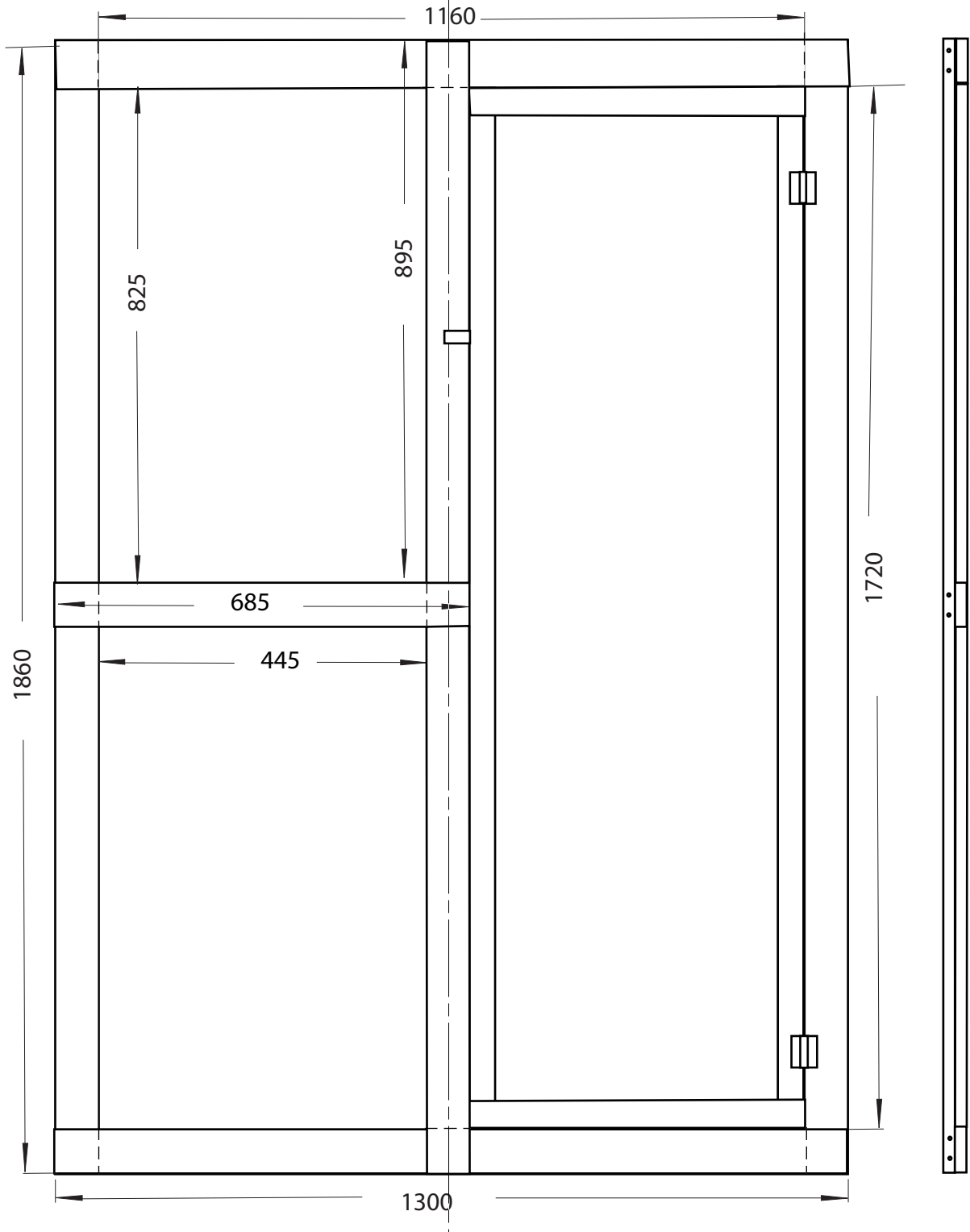
Design:

Scale:

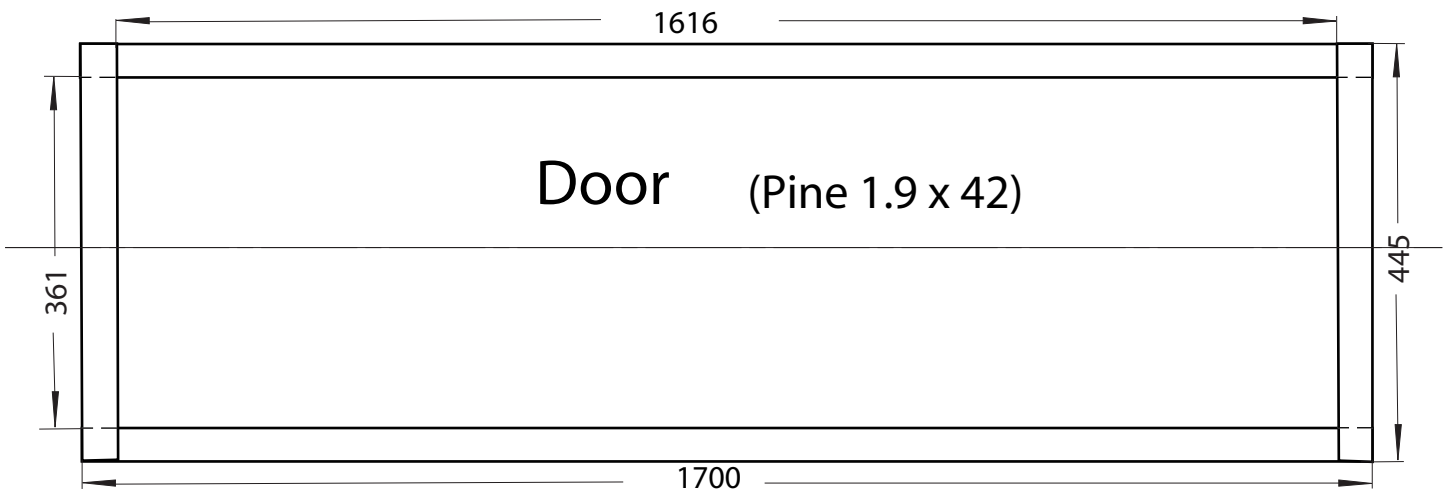
1:20

Cage (Release)

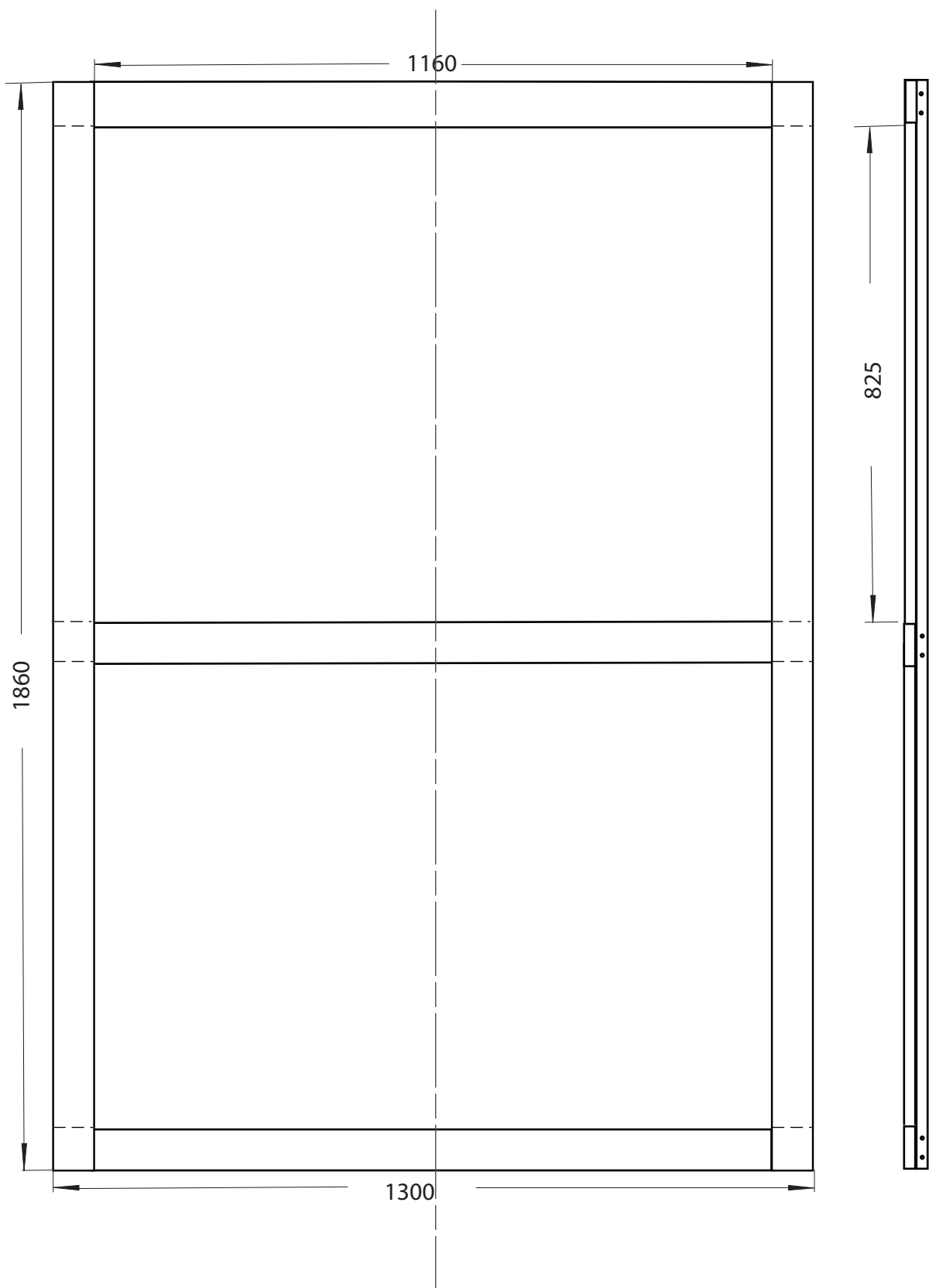
Front (Pine 1.9 x 70)



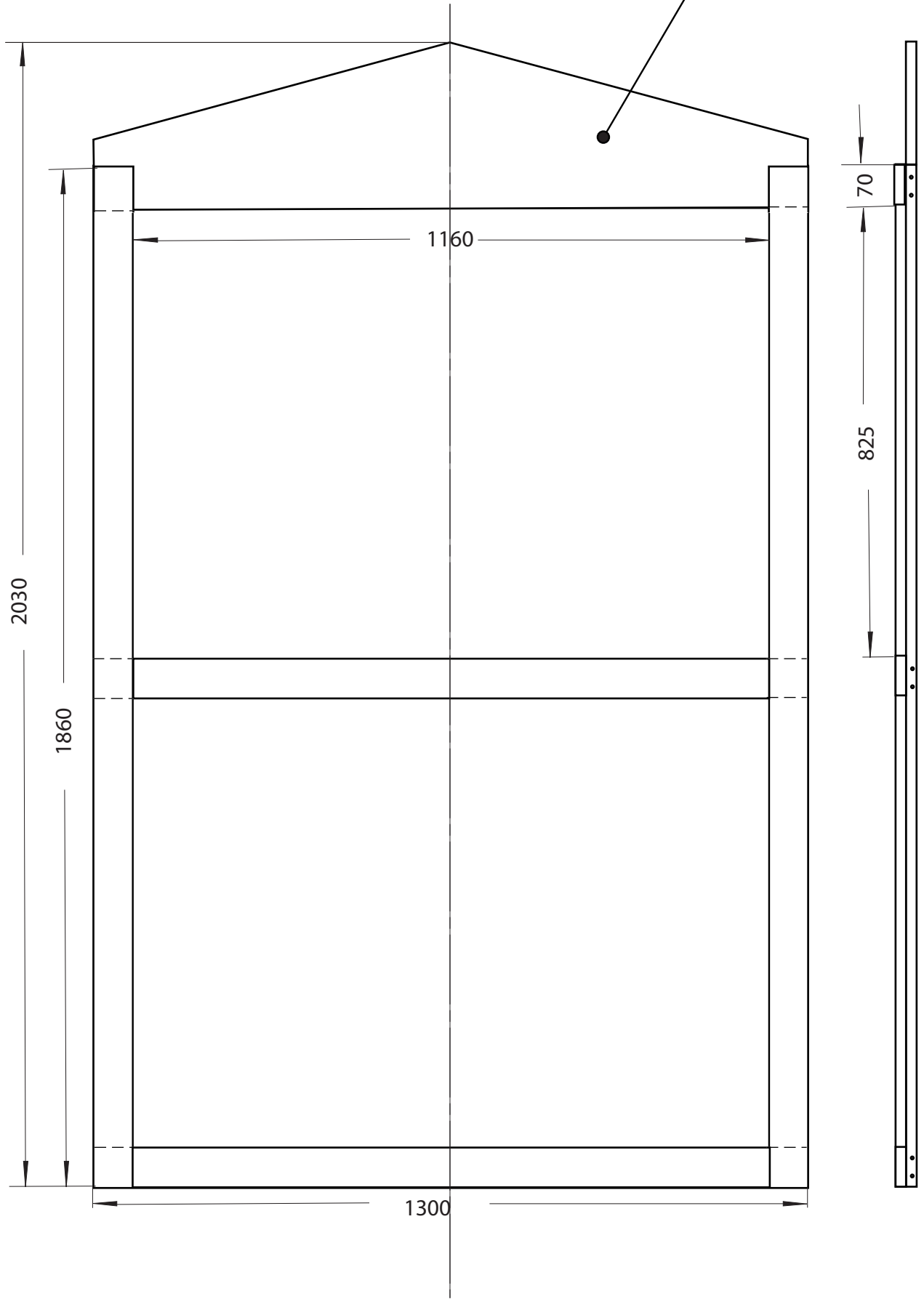
Door (Pine 1.9 x 42)



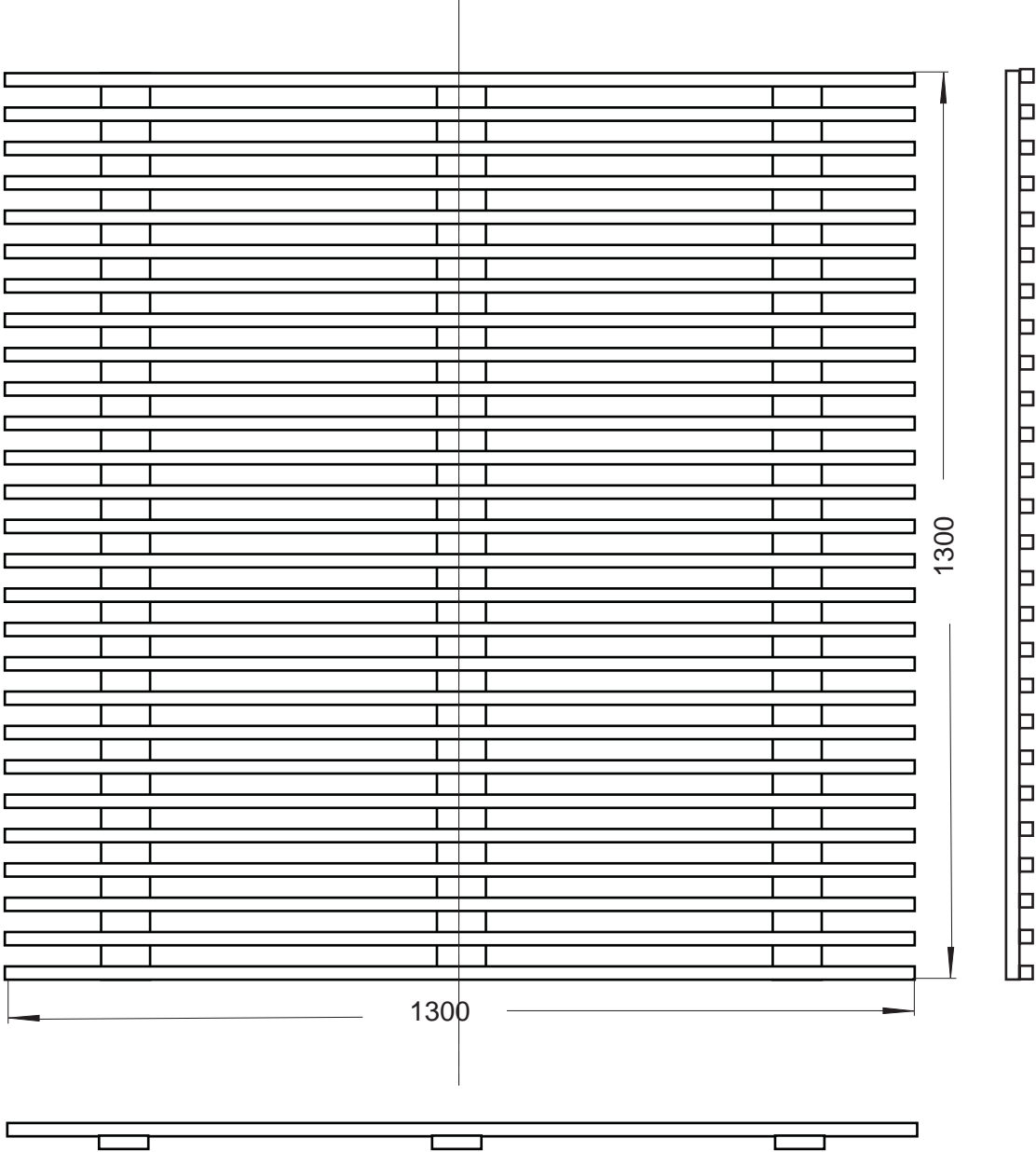
Back (Pine 19 x 70)



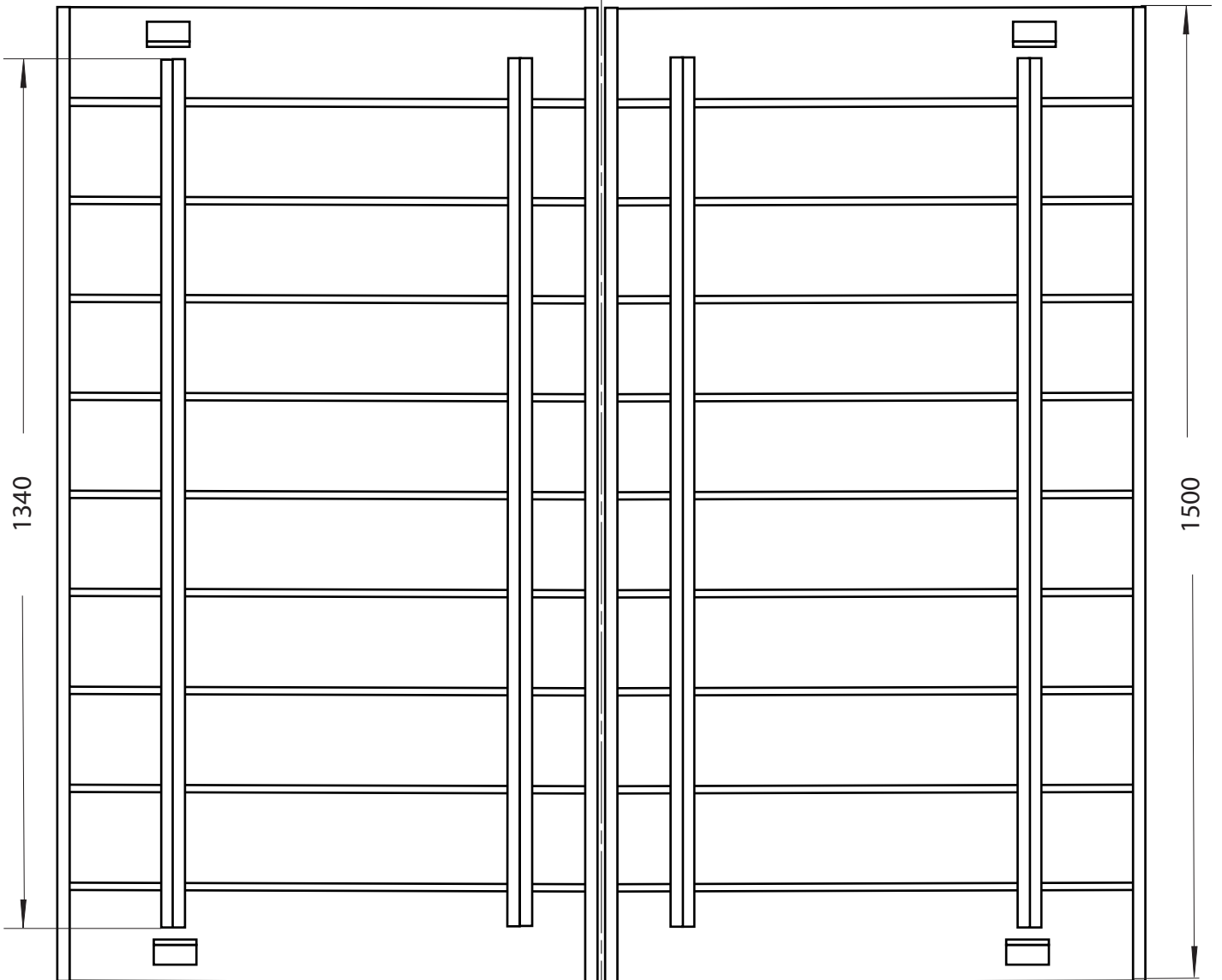
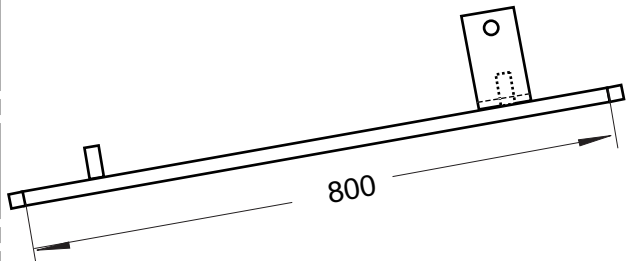
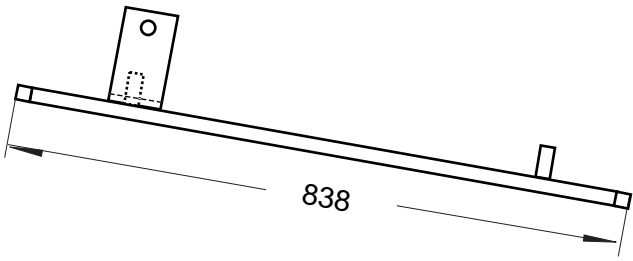
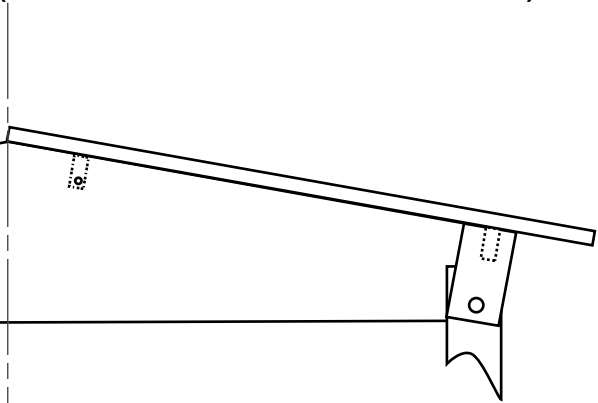
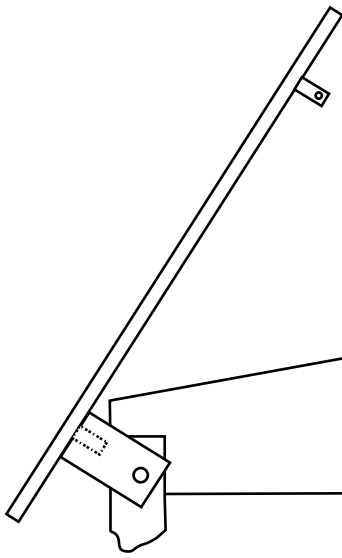
Side 2X (Pine 19 x 70; 19 x 240)



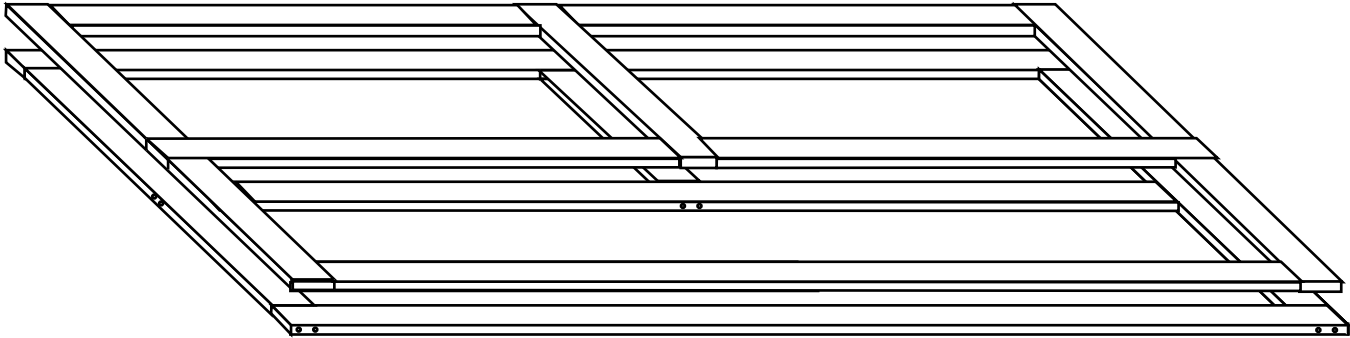
Floor (Pine, 1.9 x 1.9; 25 to 30 times;
1.9 x 42; 3 times)



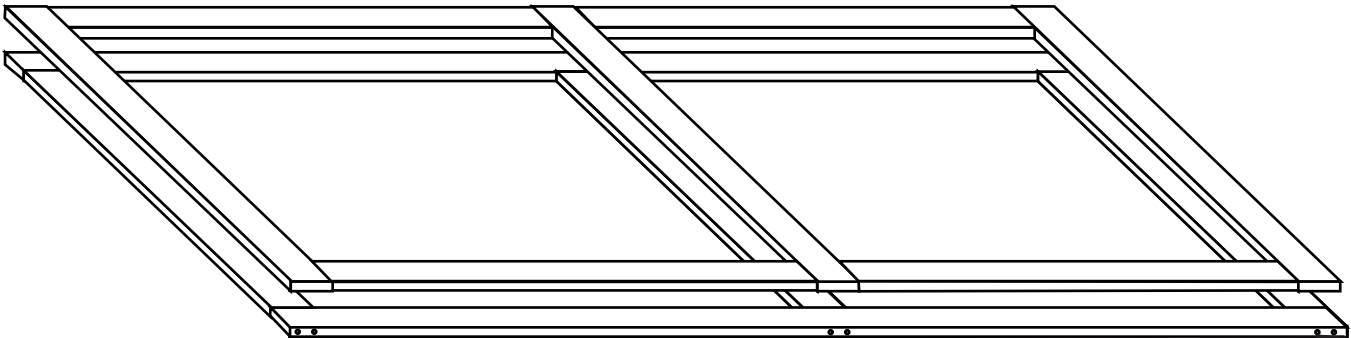
Roof (Pine, tong and groove 140 mm) (Pine, 1.9 x 42 ; 1.9 x 1.9)



Front (Door)



Back



Side (2 x)

